

Technical Datasheet RT-33

1. Product description



The repeater sistema RT-33 is used in LONWORKS® networks for the regeneration of the bus signals. Thus, it is possible to increase the number of subscribers or communication range.

The repeater can be used in networks with free, ring, line or star topology.

Use in networks with FTT and LPT devices (also mixed) is possible.

A separate connection for the shield is present.

2. Mounting and installation

2.1. Mounting

- Mounting on DIN rail according to EN50022, width 3 TE



The installation and assembly of electrical equipment may only be performed by a qualified electrician.

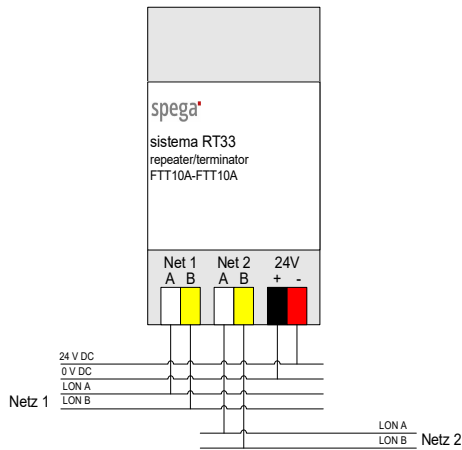


Relevant standards, guidelines, rules and regulations of the respective country must be observed in the planning and construction of electric installations.



The specification must be met.

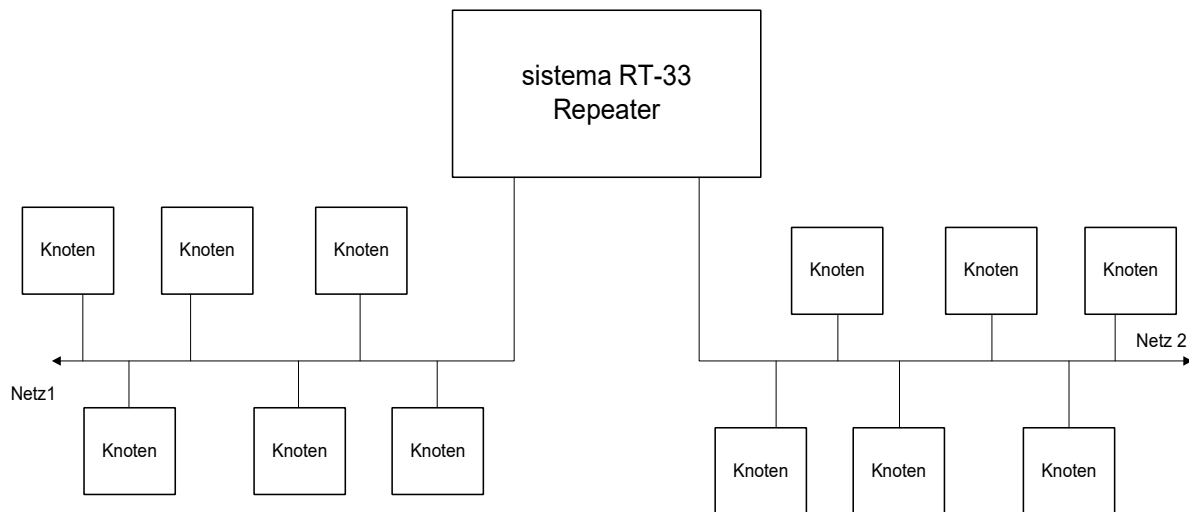
2.2. Installation



The LON repeater sistema RT-33 allows the increase of the number of participants or the communication range of the network. The required operating voltage is 24 V DC.

Notes:

For the study, design and commissioning of the device are professional knowledge of LONWORKS® technology - here specifically for the development of networks and their segmentation - provided.



3. Technical Data

Power supply

Operating voltage	24 V DC (15 ... 27 V DC)
Current input	typ. 10mA (240mW) max. 20mA (480mW)

Network

Type of network	TP/FT-10 (78kbps)
Type of transceiver	2 x FTT 10 A

Connections

Power supply	Screw terminals for 24V DC (from power supply), protective conductors and shielding of the bus
Network	2x4-pin plug-in terminal connection for Ø 0.6 to 1.0 mm (sol) per pole are four bus lines connected

Housing

Type of protection	IP 20 (DIN 40050 / IEC 144)
Dimensions	85 (45) x 52,5 x 60 (H x W x D)
Type/location of installation	Standard distributions, for mounting on DIN rail EN50022

Ambient conditions

Operating temperature	-5°C ... +45°C
Storage temperature	-25°C ... +55°C
Transport temperature	-25°C ... +70°C
Relative humidity	5% ... 93% (w/o condensation)
Installation height	up to 2000 m above sea level

Safety

Electrical isolation	SELV (EN 60950)
Protection class	III (IEC 536 / VDE 106 Part 1)

Standards

Device safety	acc. EN 50 090-2-2
Immunity	acc. EN 50 090-2-2
Certification	CE

4. Order information

Order number	Description
RT33	sistema RT-33 Repeater for LON networks

5. Support

The information given in this manual was carefully compiled. Should you have any further questions regarding this product, please contact:

SafeSquare GmbH

Am Graben 2-6
42477 Radevormwald
Germany

Fon: +49 (2191) 56814-0
Fax: +49 (2191) 56814-89
Email: info@safesquare.eu