

Technical Datasheet clima LCD / LCD-CC

1. Product description

Room control panel with temperature sensor, LCD and 4 function buttons for set point adjustment, room occupancy and fan control. Displays room temperature, set point as well as symbols for other control states. Unit comes with jumper ring for mounting on cavity wall sockets or flush mounting sockets according to DIN VDE 0606. With central plate usable for all common 55mm frames.

clima LCD

4 isolated digital inputs

clima LCD-CC

2 isolated digital inputs

2 analogue 0-10V outputs for actuators



2. Mounting and installation

2.1. Mounting



Installation and assembly of electrical equipment must be carried out only by qualified persons!



The device function is determined by the application program. Only programs which have been by released by spega for the device may be loaded.



The system installer must ensure that the application program and the related parametrization conform to the wiring and intended application of the device.



The relevant standards, directives, requirements and regulations of the respective country must be observed when installing electrical equipment.

The device is intended for mounting on hollow-wall/flush-type sockets. The bus cable is connected to the device by a terminal screw. For pre-wiring, the terminal screw can be removed from the device.

Mounting the device should be done at locations which are representative for the room temperature to avoid distortion of the measurement. Solar radiation and draft are to be avoided.

2.2. Service pushbutton

The LON service push button is located under the LC-Display.

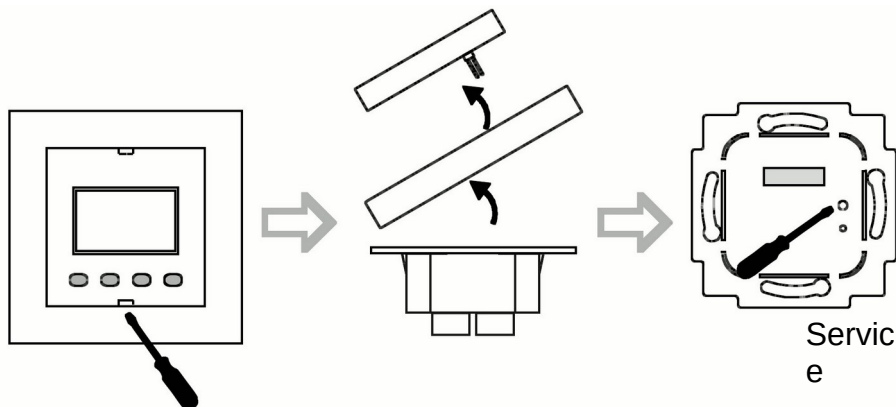
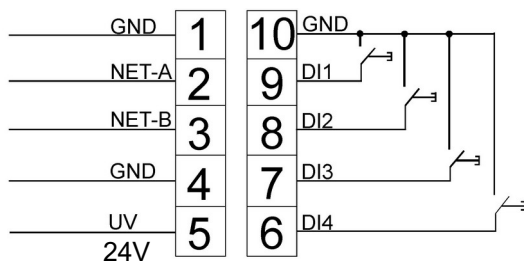
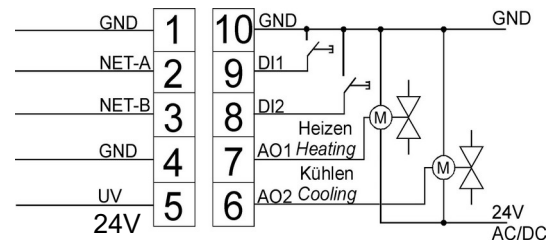


Figure 1: Operating the service pushbutton

2.3. Connection diagrams



clima LCD



clima LCD-CC

2.4. Dimensions

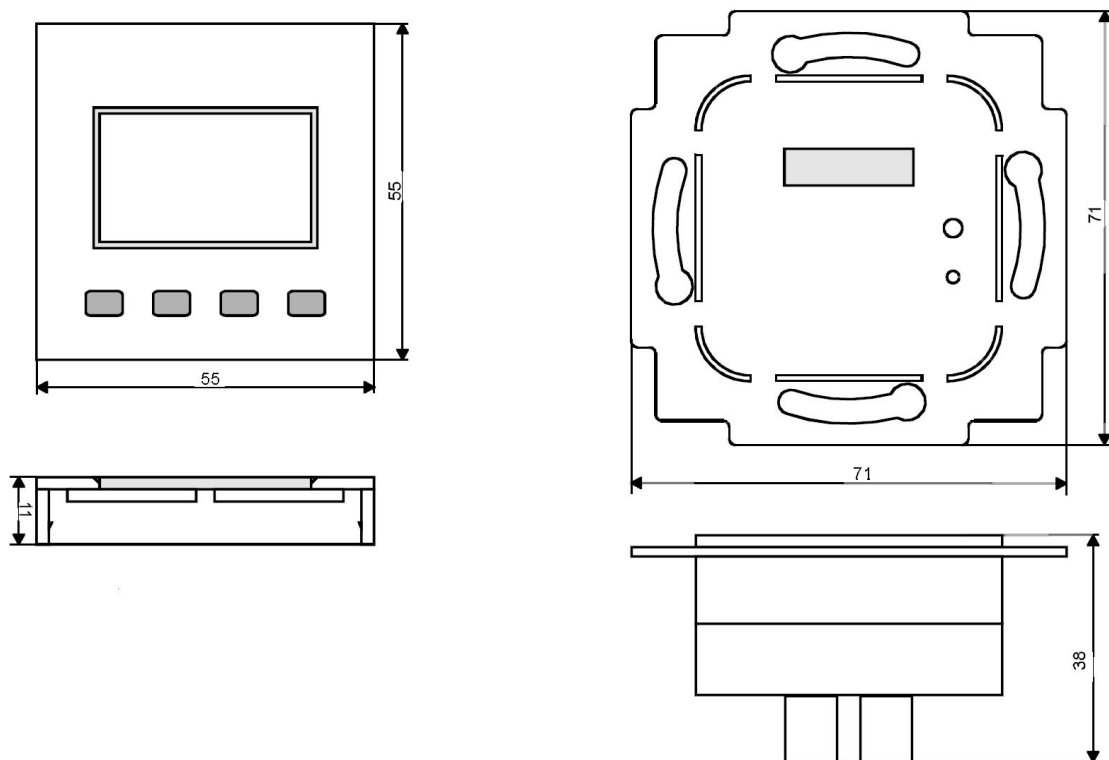


Figure 2: Dimensions

3. Technical data

Power supply

Operating voltage 24V DC/AC $\pm 10\%$

Power consumption ca. 1.3W / 1,5VA

Network

Network type TP/FT-10 (78kbps)

Transceivertype FTT, free topology

Control elements

Service pushbutton Sends Neuron-ID

Function buttons 4 buttons

Display elements

LCD 34mm X 21mm, 102 x 68 dot, black/white

Temperature sensor

Range	0 ...+50°C
Accuracy @ 21°C	± 0,5K
Response time	time constant t_{63} 15 minutes

Inputs

clima LCD	4 digital	isolated digital inputs, max. cable length 10m
clima LCD-CC	2 digital	

Outputs

clima LCD	none	0-10V, max. 10mA, max. cable length 10m
clima LCD-CC	2 analog	

Housing

Protection	IP 30 (EN 60529)
Terminals	terminal screw, max. 1,5mm ²

Ambient conditions

Operating temperature	0°C...+50°C
Transportation temperature	-10°C...+50°C
Rel. humidity	max. 85% rH (without condensation)

Standards

EN 50090-2-2: 96
EN 61000-6-1: 2001

CE-Conformity

2004/108/EG Electromagnetic Compatibility
2006/95/EG Low Voltage Directive

4. Order information

Order number	Description
231 505 W	clima LCD, 4 DI, pure white
231 505 A	clima LCD, 4 DI, aluminum
231 544 W	clima LCD-CC, 2 DI, 2 AO 0-10V, pure white
231 544 A	clima LCD-CC, 2 DI, 2 AO 0-10V, aluminum

5. Supportaddress

The information given in this manual was carefully compiled. Should you have any further questions regarding this product, please contact:

SafeSquare GmbH

Am Graben 2-6
42477 Radevormwald
Germany

Fon: +49 (2191) 56814-0
Fax: +49 (2191) 56814-89
Email: info@safesquare.eu