

Technical Datasheet ombra BA2-DC-i / BA2-DC-i-b

1. Product description



The ombra BA2-DC-i sunblind actuator is designed for connection to spega M/R series LON controller. The maximum switching capacity for each DC-motor is 1A. Encoders with one or two outputs can be connected.

The sunblind actuator can be operated in conjunction with other e.control actuators for lighting or sunblinds together on one controller.

In the BA2-DC-i-b version, the actuator has a manual control level, allowing the blind to be raised or lowered independently of the bus operation, as well as LEDs for indicating the direction of travel of the blind.

For configuration purposes, an easy-to-use LNS plug-in is available.

2. Mounting and installation

2.1. Mounting

1. Installation on DIN EN50022 rail, width 4 TE
2. The connection interface is located on the left-hand side of the housing. The actuator must only be operated with spega e.control controllers. Observe the maximum space available on the DIN rail.



Switching inductive loads (for example contactors or electric motors) can produce powerful high frequency interferences, which may affect the functionality of this or other units. It is therefore recommended to install snubber circuits (e.g. RC snubber) on the outputs. Please refer to the manufactures of the connected loads for more information.



Electrical devices must be assembled and installed by trained personnel only.



Please observe local standards, guidelines and regulations when planning and installing electrical devices.



Do not exceed device specifications.

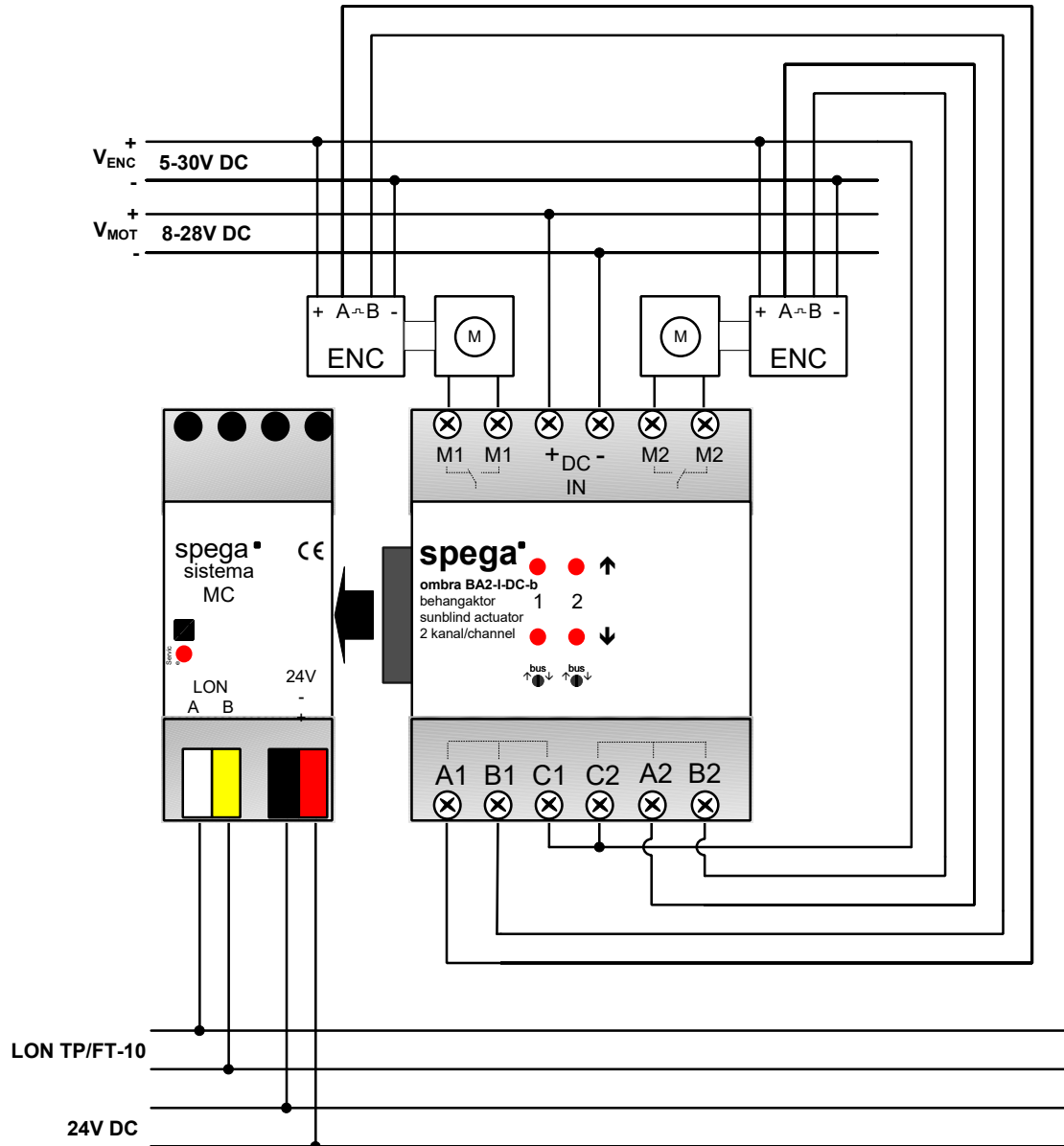


The system installer has to take care that the correct application and the associated parameters are corresponding with the wiring and the intended use of the device.



Connecting or disconnecting modules or controllers is only allowed if they are disconnected from all power supplies.

2.2. Installation



3. Technical Data

Power supply

Operating voltage	via spega M/R series LON controller
Current consumption (full load)	ca. 25 mA

Inputs/Outputs

Actuator interface	14pol Control interface for spega modules
Encoder interface	6 x 1pin terminal screw connection, Ø up to 4mm ² : 2 x 2 galvanic separated inputs , ca. 5mA, 5-30VDC Maximum input frequency: 2000Hz
Motor supply input	2 x 1pin terminal screw connection, Ø up to 4mm ² : 24V DC, (8V-28VDC) motor supply voltage input, 2 A nom, 16A peak, reverse polarity protected
Switching outputs	4 x 1pin terminal screw connection, Ø up to 4mm ² 2 x 2 outputs, 1A nominal, pole-reversing output for 24V DC motors

Manual control

ombra BA2-DC-i	-
ombra BA2-DC-i-b	3-stage rotary switch for each channel. Functions: „down“, „bus“, „up“

Indicators

ombra BA2-DC-i	-
ombra BA2-DC-i-b	status LED: „down“ and „up“

Housing

Protection	IP 20 (EN 60529)
Dimensions	85(45) x 70 x 60 mm (H x W x D) – corresponds to 4 modular spacing's
Type/location of installation	distribution board, 35mm DIN mounting rail

Ambient conditions

Operating temperature	-5°C ... +45°C
Storage temperature	-25°C ... +55°C
Transport temperature	-25°C ... +70°C
Relative humidity	5% ... 93% (w/o condensation)
Installation height	up to 2000 m above sea level

Safety

Electrical isolation	SELV (EN 60950)
Protection class	III (DIN EN 61140, VDE 0140-1)

Standards

Device safety	EN 50491-3
Immunity	EN 50491-5-1, EN 50491-5-2
Certification	CE

4. Order information

Order number	Product	Description
120 242	ombra BA2-DC-i	Sunblind actuator 2x24V DC with pole-reversing output for 2 DC motors
120 243	ombra BA2-DC-i-b	same as ombra BA2-DC-i, but with additional manual control option
121 000	sistema MC	LON Universal controller for M/R series modular actuators

5. Support

The information given in this manual was carefully compiled. Should you have any further questions regarding this product, please contact:

SafeSquare GmbH

Am Graben 2-6
42477 Radevormwald
Germany

Fon: +49 (2191) 56814-0
Fax: +49 (2191) 56814-89
Email: info@safesquare.eu