

Technical Datasheet clima AA4-10V

1. Product description



The clima AA4-10V analog I/O module is designed for connection to spega M/R series LON controller.

It offers two operating modes for each of its four channels.

For configuration, a comfortable LNS plug-in is available for the controller.

Analog output mode:

Each analogue I/O port can be separately configured as an output.

Through this up to four ports offer a constant output signal for actuators and similar devices with a 0-10V signal input.

The outputs have a continuous load capability of up to 20mA.

In this mode, the actuator-channel can be operated in conjunction with other e.control actuators for heating, ventilation and air-conditioning technology.

*Note: via external resistor (500Ω)

Analog input mode:

Each I/O port can be separately configured as an input for current or voltage measurement.

The type of input signal can be selected for each input channel separately via software:

0-10V, 2-10V, 0-20mA, 4-20mA

The analog input-channel can be operated in conjunction with other e.control actuators.

2. Mounting and installation

2.1. Mounting

- Installation on DIN EN50022 rail, width 3 TE
- During installation of cables please observe possible minimum distances to other cables in order to maintain a safe isolation.
- The connection interface is located on the left-hand side of the housing. The actuator must only be operated with spega e.control controllers. Observe the maximum space available on the DIN rail.



Circuits must obey SELV (Safety Extra Low Voltage) specifications.



Electrical devices must be assembled and installed by trained personnel only.



Please observe local standards, guidelines and regulations when planning and installing electrical devices.



Do not exceed device specifications.



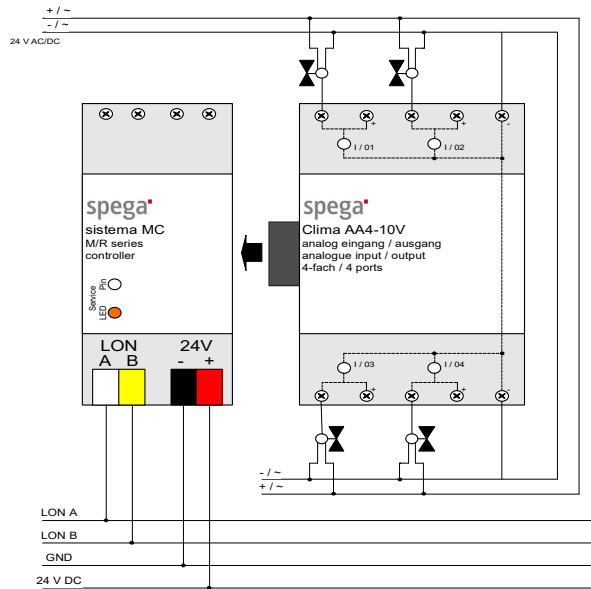
The system installer has to take care that the correct application and the associated parameters are corresponding with the wiring and the intended use of the device.



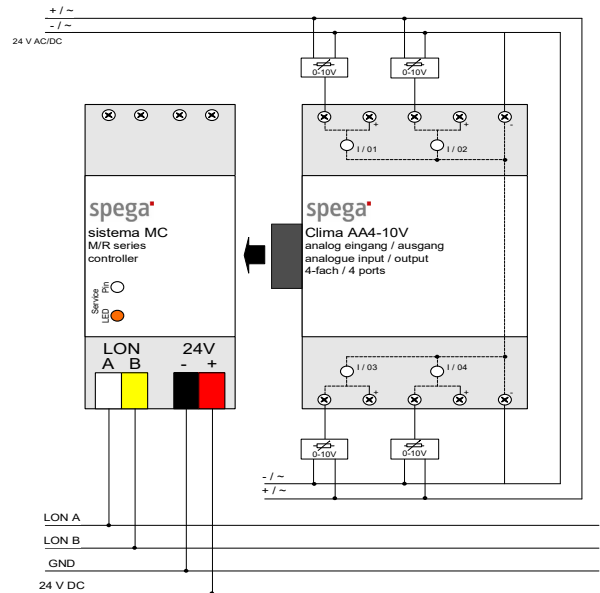
Connecting or disconnecting modules or controllers is only allowed if they are disconnected from all power supplies.

2.2. Installation

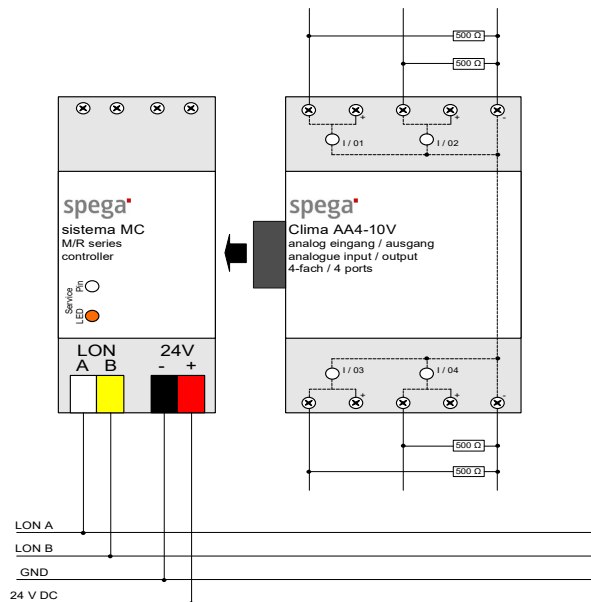
clima AA4-10V as output:



clima AA4-10V as input 0-10V:



clima AA4-10V as input 0-20mA:



3. Technical data

Power supply

Operating voltage	via spega M/R series LON controller
Current consumption (full load)	typ. 140mA (3,4W)
Power dissipation (max.)	3,4W

Inputs/Outputs

Actuator interface	Control interface for spega modules
Analog inputs	max. 4 analog inputs 0-10V, 2-10V; > 50k Ω input resistance max. 4 analog inputs 0-20mA, 4-20mA with external 500 Ω burden
Analog outputs	max. 4 analog outputs 0-10V, 2-10V; min. load resistance 500 Ω max. 4 analog outputs 0-20mA, 4-20mA; max. load resistance 500 Ω

Connections

Actuator Interface	integrated 14 pin connector
Analog inputs/outputs	10 x 1pin terminal screw connection, \varnothing up to 4mm ²

Housing

Protection	IP 20 (EN 60529)
Dimensions	85(45) x 52,5 x 60 mm (H x W x D) – corresponds to 3 modular spacings
Type/location of installation	distribution board, 35mm DIN mounting rail

Ambient conditions

Operating temperature	-5°C ... +45°C
Storage temperature	-25°C ... +55°C
Transport temperature	-25°C ... +70°C
Relative humidity	5% ... 93% (w/o condensation)
Installation height	up to 2000 m above sea level

Safety

Electrical isolation	SELV (EN 60950)
Protection class	II (DIN EN 61140, VDE 0140-1)

Standards

Device safety	EN 50090-2-2
Immunity	EN 50090-2-2
Certification	CE

4. Order information

Order number	Product	Description
120 344	clima AA4-10V	Analog I/O module, 4 channels, with individually configurable input/outputs for 0-10V/4-20mA sensors or actuators
121 000 C	sistema MC	LON Universal controller for M/R series modular actuators

5. Support

The information given in this manual was carefully compiled. Should you have any further questions regarding this product, please contact:

SafeSquare GmbH

Am Graben 2-6
42477 Radevormwald
Germany

Fon: +49 (2191) 56814-0
Fax: +49 (2191) 56814-89
Email: info@safesquare.eu