

Technical Datasheet lumina ST4 / ST4-b

1. Product description



The lumina ST4 control output is designed for connection to spega M/R series LON controller.

The actuator has four analog and relay outputs each and independently controls devices with a 1-10V interface (dimmable electronic control gears, electronic transformers etc.). The maximum current load of the analog outputs is 40mA. The relays have a switching capacity of 10A.

The control output can be operated in conjunction with other e.control actuators for lighting or sunblinds together on one controller.

In the ST4-b version, the actuator has a manual control level, allowing the device to be switched on or off independently of the bus, as well as LEDs for indicating the output state.

For configuration purposes, an easy LNS plug-in is available for the controller.

2. Mounting and installation

2.1. Mounting

1. Installation on DIN EN50022 rail, width 4 TE
2. The connection interface is located on the left-hand side of the housing. The actuator must only be operated with spega e.control controllers. Observe the maximum space available on the DIN rail.



Switching inductive loads (for example contactors or electric motors) can produce powerful high frequency interferences, which may affect the functionality of this or other units. It is therefore recommended to install snubber circuits (e.g. RC snubber) on the outputs. Please refer to the manufactures of the connected loads for more information.



Electrical devices must be assembled and installed by trained personnel only.



Please observe local standards, guidelines and regulations when planning and installing electrical devices.



Do not exceed device specifications.

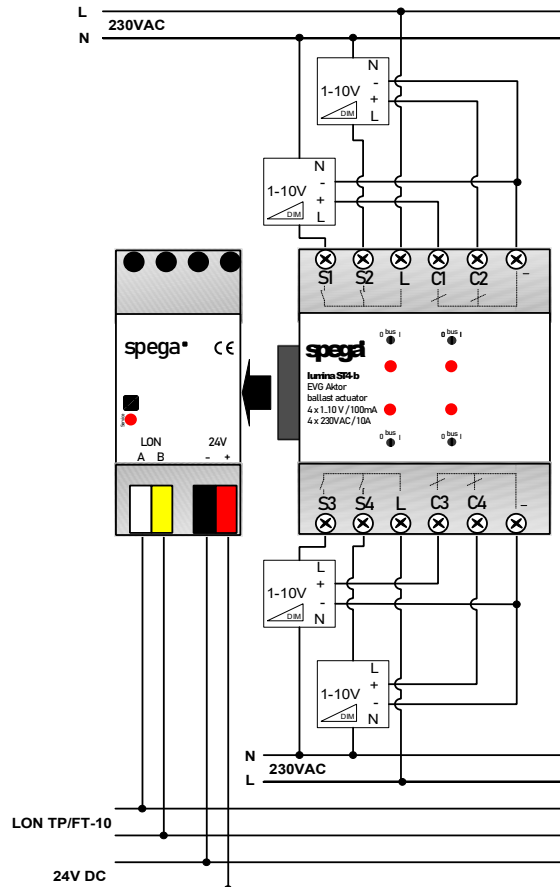


The system installer has to take care that the correct application and the associated parameters are corresponding with the wiring and the intended use of the device.



Connecting or disconnecting modules or controllers is only allowed if they are disconnected from all power supplies.

2.2. Anschluss





The minus (-) terminals of the ST4/ST4-b are internally connected with each other!

3. Technical Data

Power supply

Operating voltage	via spega M/R series LON controller
Current consumption (full load)	typ. 160mA (4,0W)
Power dissipation (max.)	5,0W

Inputs/Outputs

Actuator interface	Control interface for spega modules
Analog outputs	4 analog outputs 1-10V, current sink, max. 40mA
Switching outputs	4 isolated relay outputs, switching capacity 10A / 250V, high starting currents are permissible (120A / <20ms)
switching capacity (applicable to > 10 ⁴ cycles of operation)	2000 W tungsten incandescent lamps 1000 VA fluorescent lamps, corrected, cos φ = 1 1700 W HV halogen lamps

Connections

Actuator Interface	integrated 14 pin connector
Analog/switching outputs	12 x 1pin terminal screw connection, \varnothing up to 4mm ²

Control elements

lumina ST4	-
lumina ST4-b:	3-stage rotary switch for each channel. Functions: „off“, „bus“, „on“

Indicators

lumina ST4	-
lumina ST4-b:	status LED ON: channel on OFF: channel off

Housing

Protection	IP 20 (EN 60529)
Dimensions	85(45) x 70 x 60 mm (H x W x D) – corresponds to 4 modular spacings
Type/location of installation	distribution board, 35mm DIN mounting rail

Ambient conditions

Operating temperature	-5°C ... +45°C
Storage temperature	-25°C ... +55°C
Transport temperature	-25°C ... +70°C
Relative humidity	5% ... 93% (w/o condensation)
Installation height	up to 2000 m above sea level

Safety

Electrical isolation	SELV (EN 60950)
Protection class	II (DIN EN 61140, VDE 0140-1)

Standards

Device safety	Acc. EN 50 090-2-2
Immunity	Acc. EN 50 090-2-2
Certification	CE

4. Order information

Order number	Product	Description
120 144	lumina ST4	1-10V control outputs for 4 channels
120 145	lumina ST4-b	same as lumina ST4, but with additional manual control option
121 000 C	sistema MC	LON Universal controller for M/R series modular actuators

5. Support

The information given in this manual was carefully compiled. Should you have any further questions regarding this product, please contact:

SafeSquare GmbH

Am Graben 2-6
42477 Radevormwald
Germany

Fon: +49 (2191) 56814-0
Fax: +49 (2191) 56814-89
Email: info@safesquare.eu