

Technical Datasheet lumina SA4 / SA4-b

1. Product description



The lumina SA4 switching actuator is designed for connection to spega M/R series LON controller. The maximum switching capacity for each channel is 16A. The switching channels allow greater peak making currents and are therefore suitable for operating electronic ballasts. There are separate supply cables for all channels.

The switching actuator can be operated in conjunction with other e.control actuators for lighting or sunblinds together on one controller.

In the SA4-b version, the actuator has a manual control level, allowing the device to be switched on or off independently of the bus, as well as LEDs for indicating the output state.

For configuration purposes, an easy LNS plug-in is available for the controller.

2. Mounting and installation

2.1. Mounting

1. Installation on DIN EN50022 rail, width 3 TE
2. The connection interface is located on the left-hand side of the housing. The actuator must only be operated with spega e.control controllers. Observe the maximum space available on the DIN rail.



Switching inductive loads (for example contactors or electric motors) can produce powerful high frequency interferences, which may affect the functionality of this or other units. It is therefore recommended to install snubber circuits (e.g. RC snubber) on the outputs. Please refer to the manufactures of the connected loads for more information.



Electrical devices must be assembled and installed by trained personnel only.



Please observe local standards, guidelines and regulations when planning and installing electrical devices.



Do not exceed device specifications.

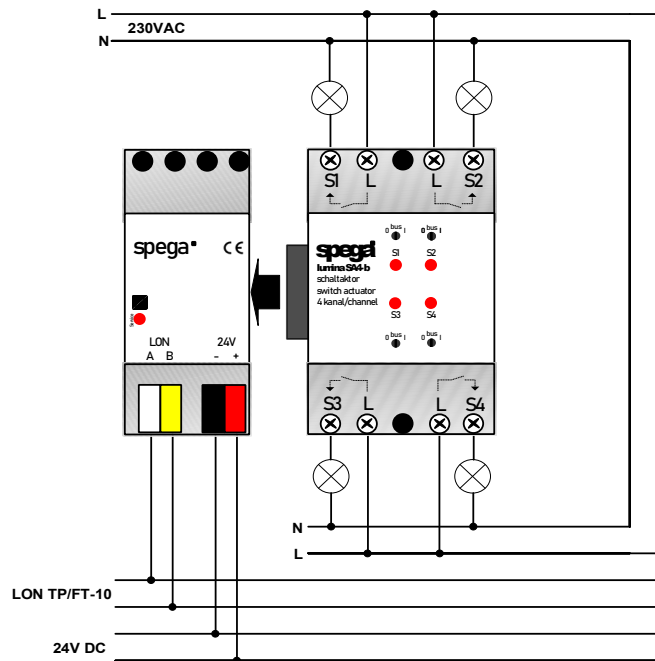


The system installer has to take care that the correct application and the associated parameters are corresponding with the wiring and the intended use of the device.



Connecting or disconnecting modules or controllers is only allowed if they are disconnected from all power supplies.

2.2. Installation



3. Technical Data

Power supply

| | |
|---------------------------------|-------------------------------------|
| Operating voltage | via spega M/R series LON controller |
| Current consumption (full load) | 110mA (2,6W) |
| Power dissipation (max.) | 5,2W |

Inputs/Outputs

| | |
|--|--|
| Actuator interface | Control interface for spega modules |
| Switching outputs | 4 isolated relay outputs, switching capacity 16A / 250V, high starting currents are permissible (120A / <20ms) |
| switching capacity (applicable to > 10 ⁴ cycles of operation) | 3000 W tungsten incandescent lamps 1500 VA fluorescent lamps, corrected, cos φ = 1 2500 W HV halogen lamps |

Connections

| | |
|--------------------|--|
| Actuator Interface | integrated 14 pin connector |
| Switching outputs | 8 x 1pin terminal screw connection, Ø up to 4mm ² |

Control elements

| | |
|---------------|---|
| lumina SA4 | - |
| lumina SA4-b: | 3-stage rotary switch for each channel. Functions: „off“, „bus“, „on“ |

Indicators

| | |
|---------------|--|
| lumina SA4 | - |
| lumina SA4-b: | status LED ON: channel on OFF: channel off |

Housing

| | |
|-------------------------------|---|
| Protection | IP 20 (EN 60529) |
| Dimensions | 85(45) x 52,5 x 60 mm (H x W x D) – corresponds to 3 modular spacings |
| Type/location of installation | distribution board, 35mm DIN mounting rail |

Ambient conditions

| | |
|-----------------------|-------------------------------|
| Operating temperature | -5°C ... +45°C |
| Storage temperature | -25°C ... +55°C |
| Transport temperature | -25°C ... +70°C |
| Relative humidity | 5% ... 93% (w/o condensation) |
| Installation height | up to 2000 m above sea level |

Safety

| | |
|----------------------|-------------------------------|
| Electrical isolation | SELV (EN 60950) |
| Protection class | II (DIN EN 61140, VDE 0140-1) |

Standards

| | |
|---------------|--------------|
| Device safety | EN 50090-2-2 |
| Immunity | EN 50090-2-2 |
| Certification | CE |

4. Order information

| Order number | Product | Description |
|--------------|--------------|---|
| 120 104 | lumina SA4 | switch actuator 4 channels |
| 120 105 | lumina SA4-b | same as lumina SA4, but with additional manual control option |
| 121 000 C | sistema MC | LON Universal controller for M/R series modular actuators |

5. Support

The information given in this manual was carefully compiled. Should you have any further questions regarding this product, please contact:

SafeSquare GmbH

Am Graben 2-6
42477 Radevormwald
Germany

Fon: +49 (2191) 56814-0
Fax: +49 (2191) 56814-89
Email: info@safesquare.eu