

Technical Datasheet lumina BE8

1. Product description



The lumina BE8 binary input can be connected to spega M/R series LON controller.

Together with the spega M/R series LON controller the connection between the LON network and conventional electrical switches or floating contacts is provided.

The binary input has 8 self-supplied inputs, which can be configured independently.

With the binary input it is possible to use conventional switch products for switching or dimming lights or electrical loads, for controlling all types of sunblinds, for saving and retrieving light scenes or for reading floating contacts, e.g. occupancy sensors or window contacts.

2. Mounting and installation

2.1. Mounting

1. Installation on DIN EN50022 rail, width 4 TE
2. This unit can only be connected to floating contacts. During installation of cables please observe possible minimum distances to other cables in order to maintain a safe isolation.
3. The connection interface is located on the left-hand side of the housing. The actuator must only be operated with spega e.control controllers. Observe the maximum space available on the DIN rail.



Input circuits must obey SELV (Safety Extra Low Voltage) specifications.



Electrical devices must be assembled and installed by trained personnel only.



Please observe local standards, guidelines and regulations when planning and installing electrical devices.



Do not exceed device specifications.

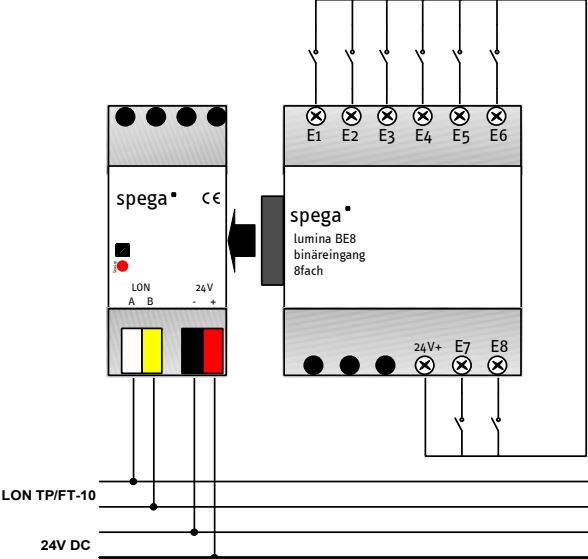


The system installer has to take care that the correct application and the associated parameters are corresponding with the wiring and the intended use of the device.



Connecting or disconnecting modules or controllers is only allowed if they are disconnected from all power supplies.

2.2. Installation



3. Technical Data

Power supply

Operating voltage DC	via spega M/R series LON controller
Current consumption (typ., contacts closed)	60mA (1,4W)
Power dissipation (max.)	1,4W

Inputs/Outputs

Actuator interface	control interface for spega modules
Digital inputs	8 inputs for floating contacts, 24V DC, 5mA current source

Connections

Actuator Interface	integrated 14 pin connector
Digital inputs	9 x 1 pin terminal screw connection, Ø up to 4mm ² , cables extendible for up to 100m (using twisted and shielded cables)

Housing

Protection	IP 20 (DIN 40050 / IEC 144)
Dimensions	85(45) x 70 x 60 (H x B x T) – corresponds to 4 modular spacings
Type/location of installation	distribution board, 35mm DIN mounting rail

Ambient conditions

Operating temperature	-5°C ... +45°C
Storage temperature	-25°C ... +55°C
Transport temperature	-25°C ... +70°C
Relative humidity	5% ... 93% (w/o condensation)
Installation height	up to 2000 m above sea level

Safety

Electrical isolation	SELV (EN 60 950)
Protection class	III (IEC 536 / VDE 106 Teil1)

Standards

Device safety	gem. EN 50 090-2-2
Immunity	gem. EN 50 090-2-2
Certification	CE

4. Order information

Order number	Product	Description
110 008	lumina BE8	Binary input 8 ports for floating contacts (e.g. window contacts, dew point or occupy sensors)
121 000 C	systema MC	LON Universal controller for M/R series modular actuators

5. Support

The information given in this manual was carefully compiled. Should you have any further questions regarding this product, please contact:

SafeSquare GmbH

Am Graben 2-6
42477 Radevormwald
Germany

Fon: +49 (2191) 56814-0
Fax: +49 (2191) 56814-89
Email: info@safesquare.eu